

**WC147669E**

**CLARENCE SINGLE DOOR ILLUMINATED CABINET**



**MATERIAL**

Anodised aluminium frame (carcass & door)  
Mirrored glass

**FINISH / COLOUR**

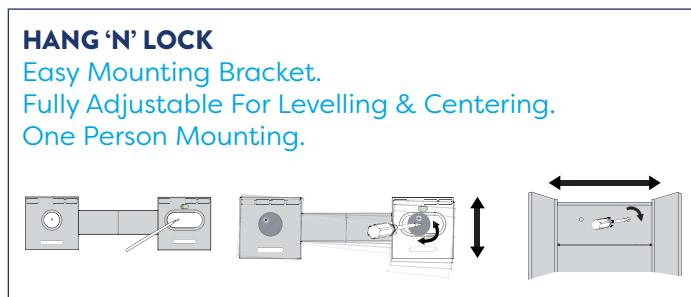
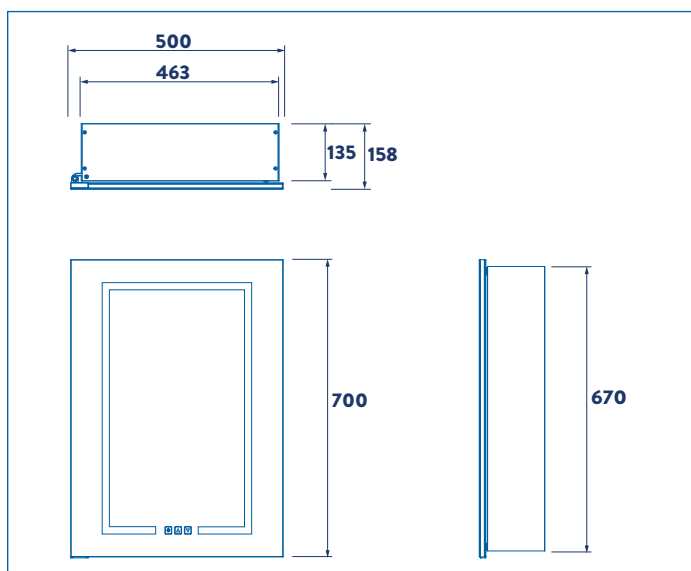
Satin anodised frame (carcass & door)

**FREQUENTLY USED APPLICATIONS**

Commercial washrooms  
Hotels  
Domestic dwellings  
Care homes

**FEATURES**

Patented Hang 'N' Lock system for easy installation.  
Touch-sensitive power switch and LED dimmer switches.  
Heated demister pad prevents fogging and reduces condensation.  
3mm thick bevelled edge mirror glass both on the external and the internal of the door.  
Integrated shaver socket.  
Two adjustable 4mm toughened/tempered glass shelves.  
180 Degree hinges for increased accessibility  
IP44 rated, suitable for use in the bathroom outside zone.



For dated references, only the edition cited applies. For undated references, the latest edition of the referenced document (including any amendments) applies.

Printed material, designs and packaging are protected by copyright and design right.

Tel: +44 (0) 1264 365881  
Fax: +44 (0) 1264 356437

Email: [info@croydex.co.uk](mailto:info@croydex.co.uk)  
Web: [www.croydex.com](http://www.croydex.com)

Date Created : 18/07/19  
REV 001

**WC147669E**

## **CLARENCE SINGLE DOOR ILLUMINATED CABINET**



### **PERFORMANCE STANDARDS**

Input Voltage 220 - 240 Vac 50Hz.

Shaver Socket: 220 - 240 Vac 20VA Max

Demister Pad: 12 Vdc 24W.

LED Lamps: 12 Vdc 10W.

Corrosion Resistance: Minimum Grade 9 when assessed using BS EN ISO 10289 after 48 hours BS EN ISO 9227 Neutral Salt Spray (NSS) test.

Complies with the Low Voltage Directive (LVD) (recast) 2014/35/EU (BS EN 60598-1; BS EN 60335-2-30).

Complies with the Electromagnetic Compatibility (EMC) Directive (recast) 2014/30/EU (BS EN 55015; BS EN 61000-3-2; BS EN 61000-3-3; BS EN 61547).

Complies with the Restriction of Hazardous Substances (RoHS) Directive (recast) 2011/65/EU.

### **CARE AND MAINTENANCE**

Clean surfaces with a damp cloth and wipe dry using a soft cloth.

Do not use chemical or abrasive cleaners as these may damage the surface finish, particularly along the edge of the mirror glass.

### **GUARANTEE / WARRANTY**

Consumer Statutory Rights Apply

For dated references, only the edition cited applies. For undated references, the latest edition of the referenced document (including any amendments) applies.

Printed material, designs and packaging are protected by copyright and design right.

Tel: +44 (0) 1264 365881  
Fax: +44 (0) 1264 356437

Email: [info@croydex.co.uk](mailto:info@croydex.co.uk)  
Web: [www.croydex.com](http://www.croydex.com)

Date Created : 18/07/19  
REV 001